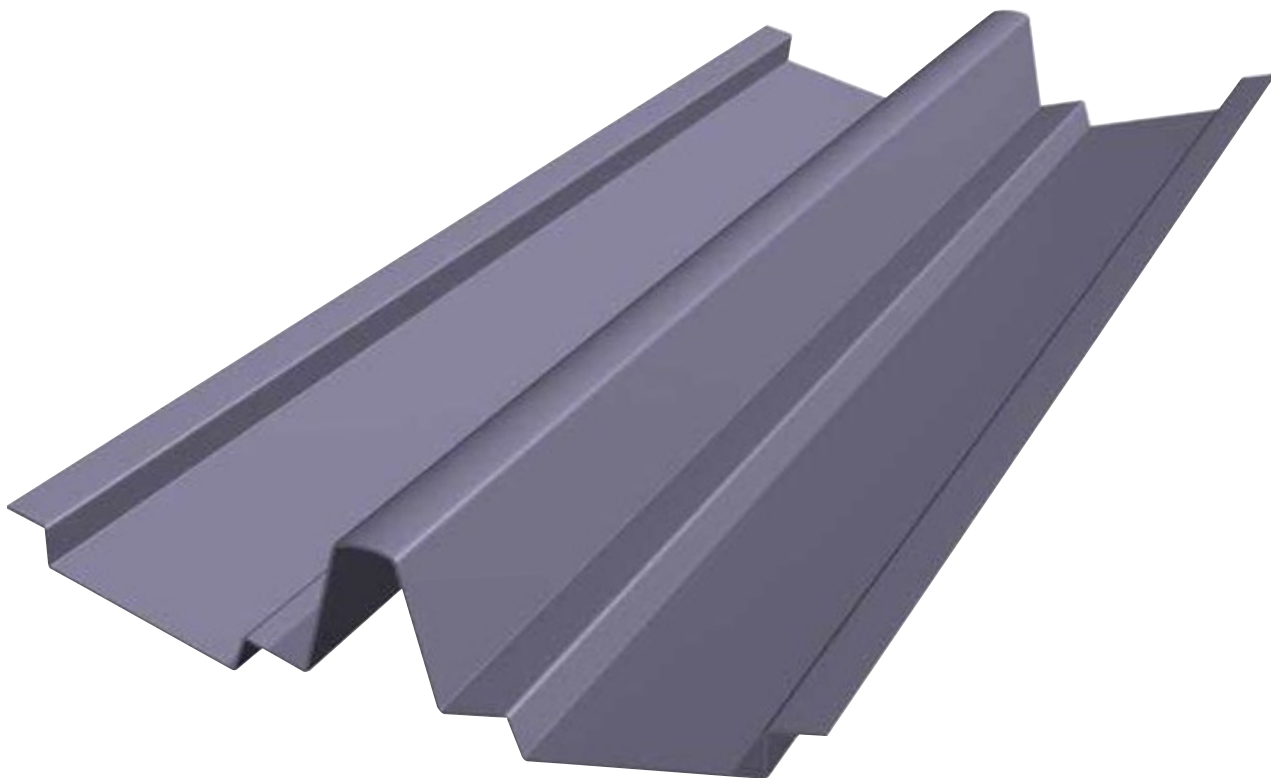


Valley Troughs



Description:

The range of Valley Trough's available from Manthorpe are manufactured from lead grey GRP (Glass Reinforced Polyester), to provide a cost-effective alternative to traditional lead roof gutters. The troughs can be used with clay or concrete tiles or slate roofs, as well as profiled GRP or metal roofs. Options are available for wet or dry fixing (with or without mortar).

UV protected surfaces provide the valleys with a strong resistance against weathering and discolouration, with a life expectancy of over 30 years. The UV inhibiting film applied to the external surfaces of the troughs restricts mould and fungal growth which would impede water flow over time.

Typical quantity per box	10 Lengths of 3m
Material	Glass Reinforced Polyester (GRP)
Fire Rating	BS 476 Part 3 - SAB BS 476 Part 7 - Class 3
Colour	Grey

Features:

- A complete range for use with natural or manmade slates and clay or concrete tiles
- Life expectancy of over 30 years
- Convincing simulation of traditional lead
- Light and easy to transport
- Simple to handle and install on site
- Virtually maintenance-free
- Mortar-free, dry fix valleys available

MANTHORPE BUILDING PRODUCTS LTD
MANTHORPE HOUSE
BRITTAIN DRIVE
CODNOR GATE BUSINESS PARK
RIPLEY
DERBYSHIRE
DE5 3ND

TEL: 01773 303 000
FAX: 01773 303 300
EMAIL:
mbp.care@manthorpebp.co.uk
WEB
www.manthorpebp.co.uk

DRN K.B

Date 01.11.19

The company maintains a policy of continuous development of its product range and reserves the right to amend the specification without notice.

DRG No

MBP 8349

Issue

A
1 OF 5

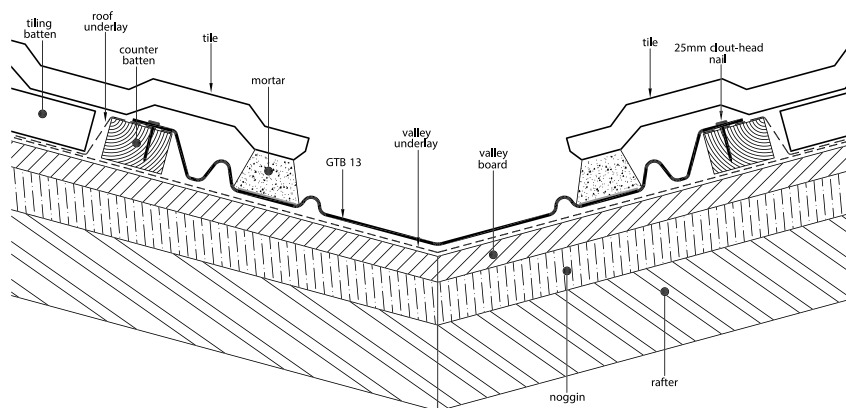
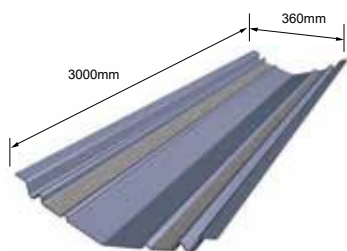
Valley Troughs

Product Code:

Installation Guide:

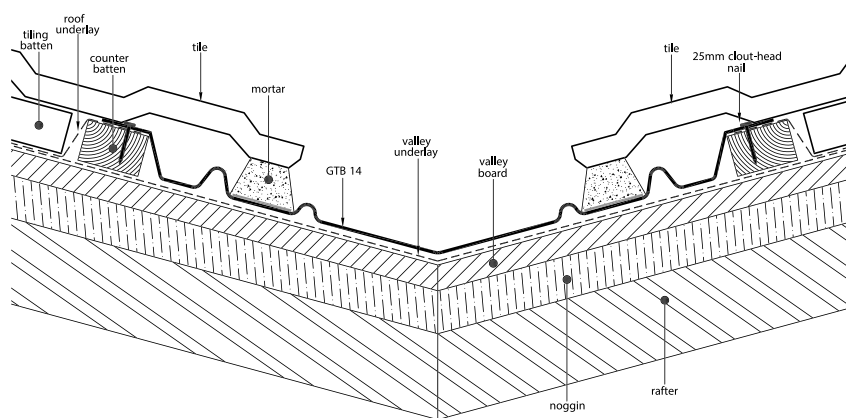
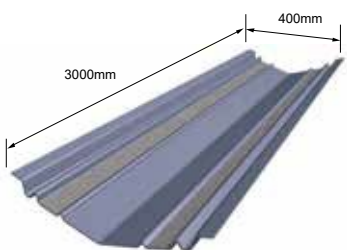
GTB13

Narrow Valley Trough
Single lap tile - over batten fix



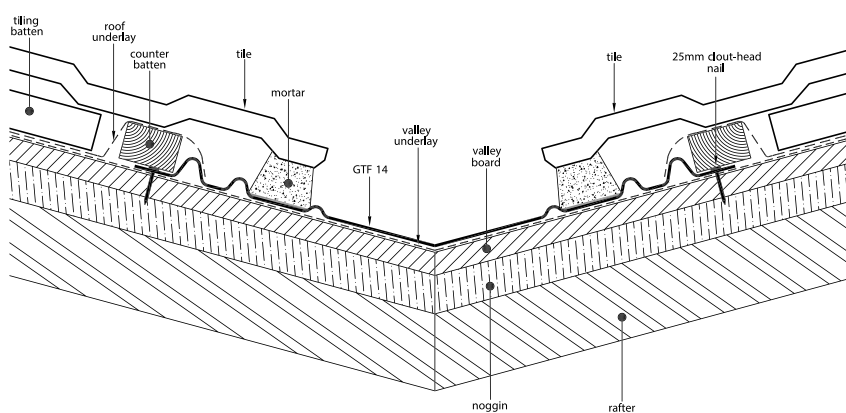
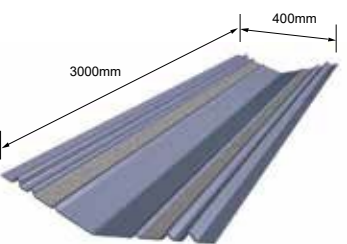
GTB14

Standard Valley Trough
Single lap tile - over batten fix



GTF14

Standard Valley Trough
Flat fix



MANTHORPE BUILDING PRODUCTS LTD
MANTHORPE HOUSE
BRITAIN DRIVE
CODNOR GATE BUSINESS PARK
RIPLEY
DERBYSHIRE
DE5 3ND

TEL: 01773 303 000
FAX: 01773 303 000
EMAIL:
mbp.care@manthorpebp.co.uk
WEB
www.manthorpebp.co.uk

DRN K.B

Date 01.11.19

The company maintains a policy of continuous development of its product range and reserves the right to amend the specification without notice.

DRG No

MBP 8349

Issue

A

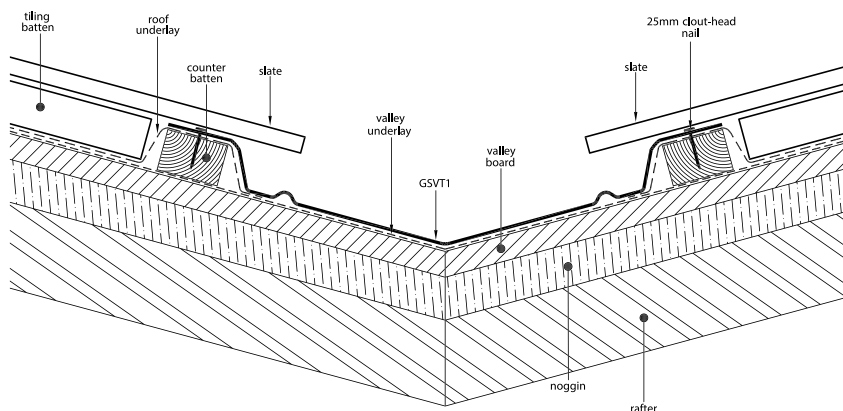
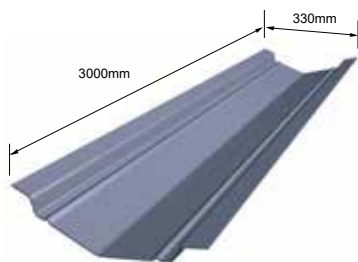
2 OF 5

Valley Troughs

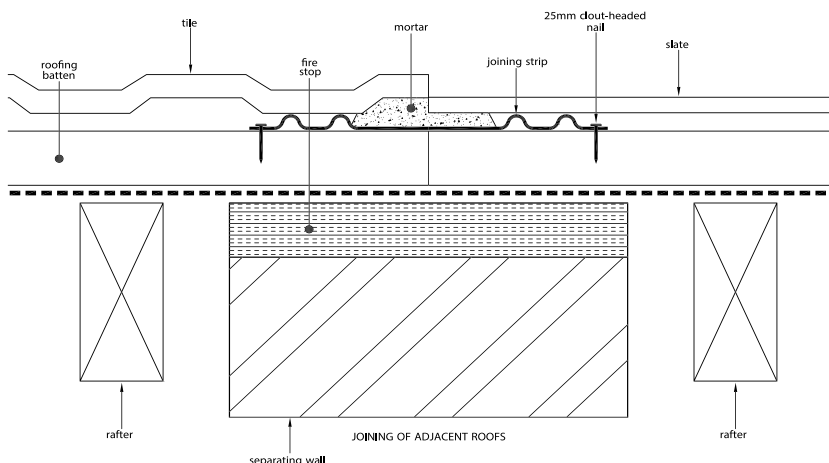
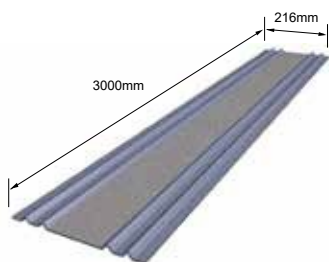
Product Code:

Installation Guide:

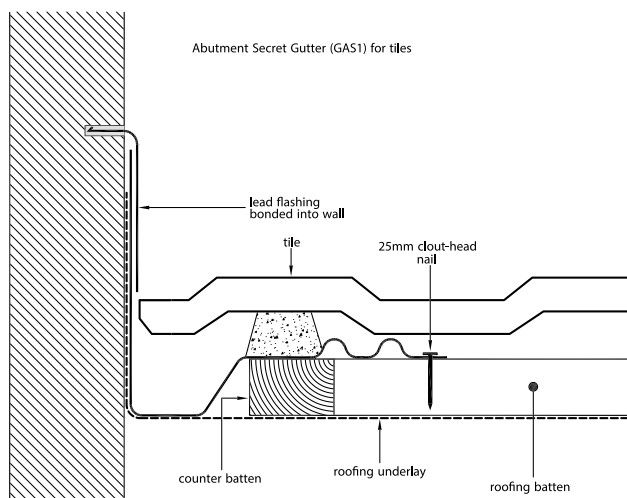
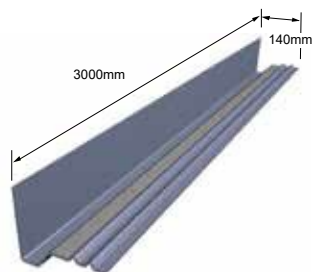
GSVT1 Slate Valley Trough Natural or man-made slates



GJS1 Secret Joining Strip



GAS1 Abutment Soaker



MANTHORPE BUILDING PRODUCTS LTD
MANTHORPE HOUSE
BRITAIN DRIVE
CODNOR GATE BUSINESS PARK
RIPLEY
DERBYSHIRE
DE5 3ND

TEL: 01773 303 000
FAX: 01773 303 300
EMAIL:
mbp.care@manthorpebp.co.uk
WEB
www.manthorpebp.co.uk

DRN K.B

Date 01.11.19

The company maintains a policy of continuous development of its product range and reserves the right to amend the specification without notice.

DRG No

MBP 8349

Issue

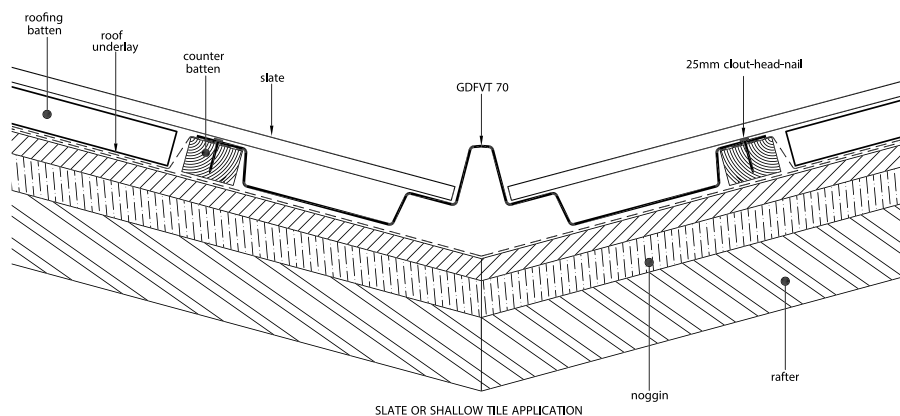
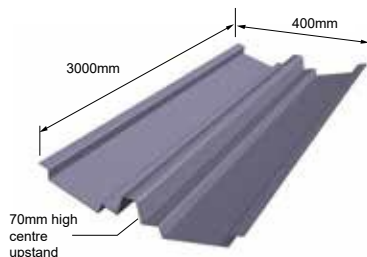
A
3 OF 5

Valley Troughs

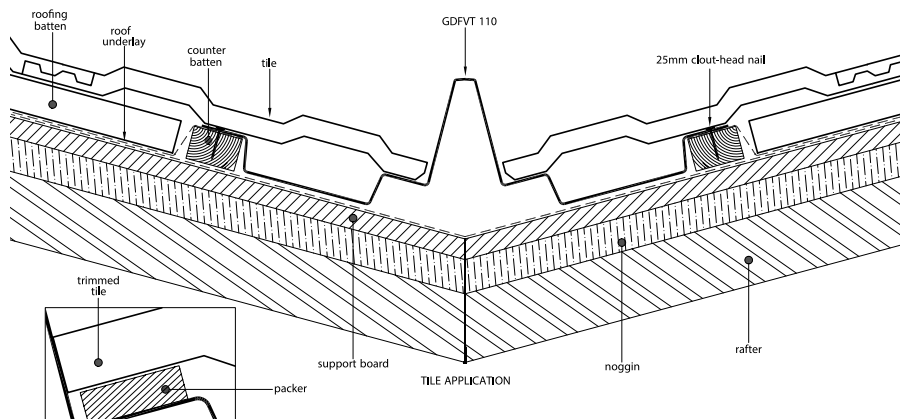
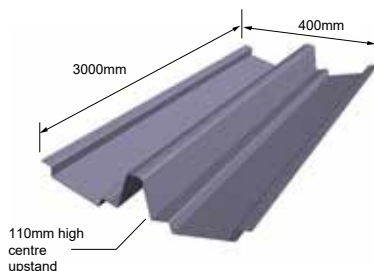
Product Code:

Installation Guide:

GDFVT70
Valley Trough
 Natural or man-made slates



GDFVT110
Valley Trough
 Concrete / clay tiles or slates



DFVTC110
90% Top Closures

DFVTC110
Eaves Closures



These closures are designed for use with GDFVT70 and GDFVT110 Valley Troughs. The top closures are suitable where the adjacent roofs are of equal pitch.

MANTHORPE BUILDING PRODUCTS LTD
 MANTHORPE HOUSE
 BRITTAIN DRIVE
 CODNOR GATE BUSINESS PARK
 RIPLEY
 DERBYSHIRE
 DE5 3ND

TEL: 01773 303 000
 FAX: 01773 303 300
 EMAIL: mbp.care@manthorpebp.co.uk
 WEB: www.manthorpebp.co.uk

DRN K.B

Date 01.11.19

The company maintains a policy of continuous development of its product range and reserves the right to amend the specification without notice.

DRG No

MBP 8349

Issue

A
 4 OF 5

Valley Troughs

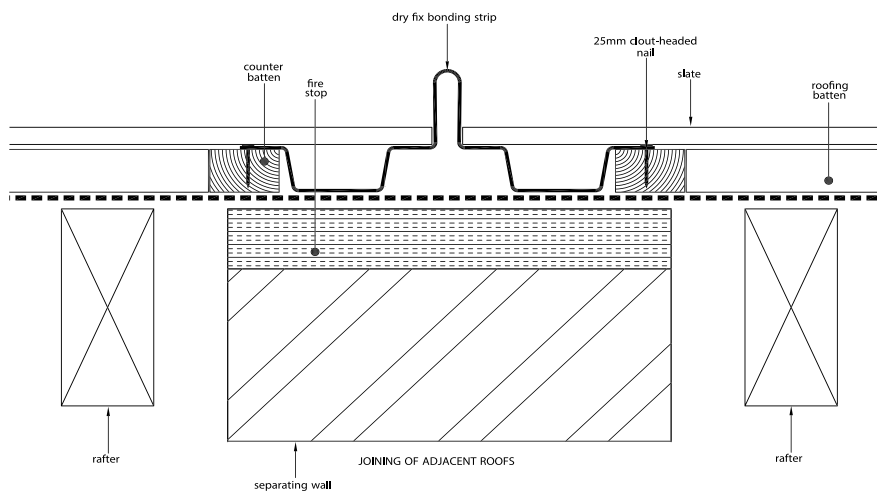
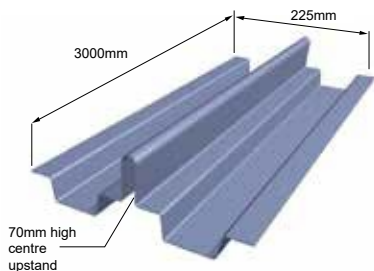
Product Code:

Installation Guide:

GDFBS70

Dry-fix Bonding Strip

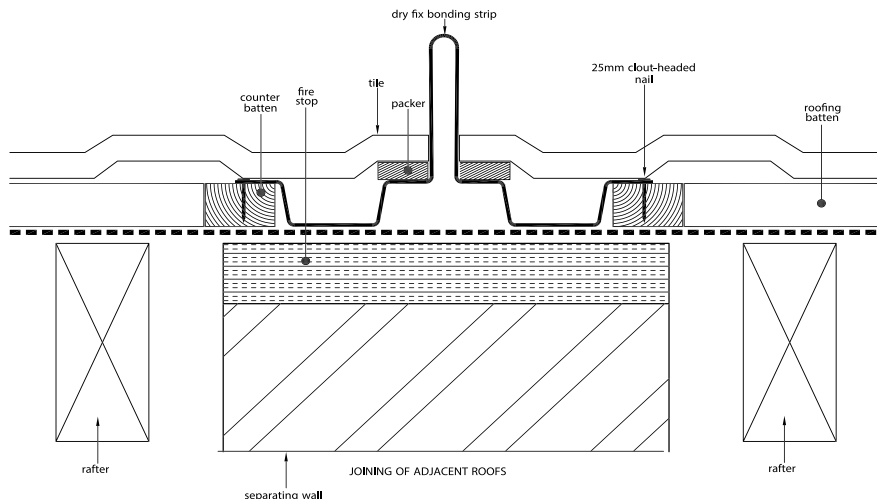
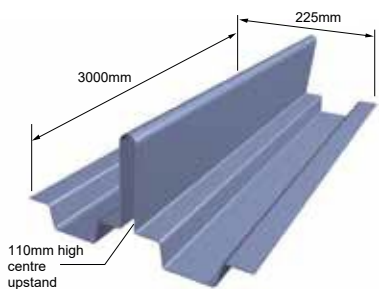
Natural or man-made slates



GDFBS110

Dry-fix Bonding Strip

Concrete / clay tiles or slates



MANTHORPE BUILDING PRODUCTS LTD
 MANTHORPE HOUSE
 BRITAIN DRIVE
 CODNOR GATE BUSINESS PARK
 RIPLEY
 DERBYSHIRE
 DE5 3ND

TEL: 01773 303 000
 FAX: 01773 303 300
 EMAIL:
 mbp.care@manthorpebp.co.uk
 WEB
 www.manthorpebp.co.uk

DRN K.B

Date 01.11.19

The company maintains a policy of continuous development of its product range and reserves the right to amend the specification without notice.

DRG No

MBP 8349

Issue

A

5 OF 5